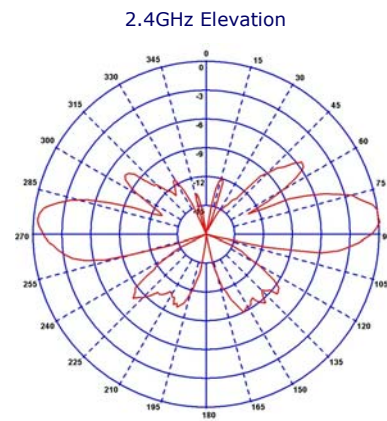
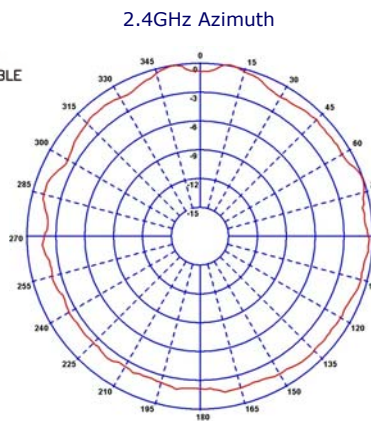
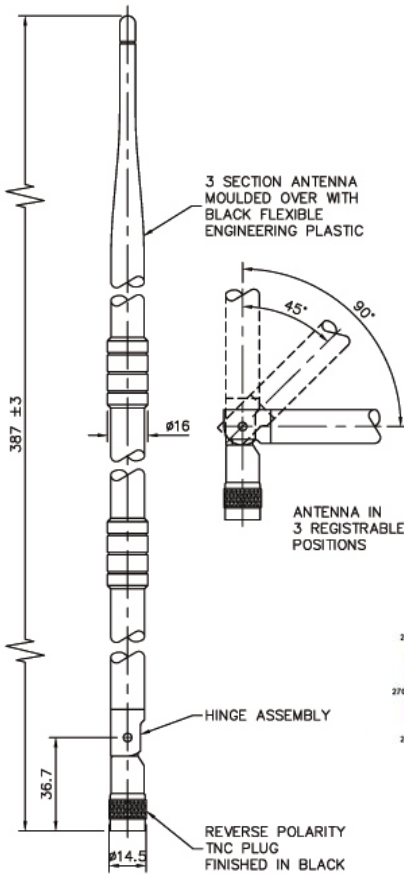


9dBi Access Point Replacement Antenna



Frequency Range (MHz)		2400 - 2485
Gain: Isotropic		9dBi
Compared with 1/4 wave		7dB
3dB Beamwidth	Azimuth	360°
	Elevation	20°
Polarisation		Vertical
Height (mm)		387
Diameter (mm)		16
Fixing		Access Point Replacement Antenna
Hinged		90° Tilt
Termination		Reverse Polarity SMA Plug



VSWR v Freq (MHz)

