



Product Data Sheet

TCD-24-UF

M2M & ISM Band

2.4GHz WLAN PCB Antenna

- Credit Card Thin
- Mesh Network
- Omni Directional
- ROHS Compliant
- UFL Connector
- Ultra Compact
- Bluetooth
- Wifi
- Zigbee

TCD-24

- Smart metering antenna
- Simple & quick installation
- Suitable for plastic enclosures

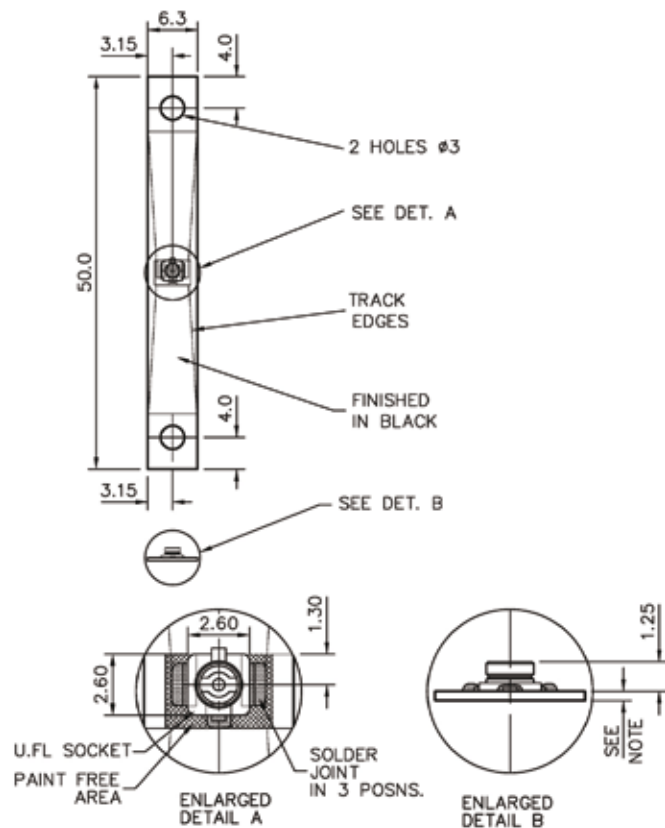


The deceptively small TCD-24-UF is an ideal antenna for Bluetooth, Zigbee and WLAN devices.

The compact TCD-24-UF removes the need for expensive external antennas by providing impressive performance at 2.4GHz. It has a component style PCB design, suitable for use within plastic device enclosures.

In a market where cost efficiency and performance often seem incompatible the TCD-24-UF removes any need for compromise.

Technical Drawing

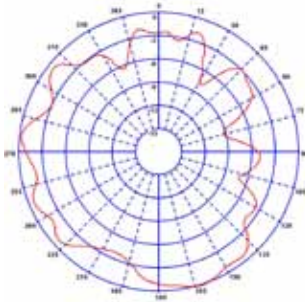


NOTE: -
PCB MATERIAL - 0.40 THICK.
AFTER PAINTING - 0.50/0.60 THICK.

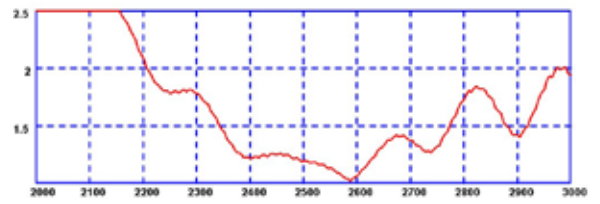
M2M & ISM Band

2.4GHz WLAN PCB Antenna

H-Plane (2400MHz)



Typical VSWR*



* The VSWR of this antenna will vary depending on the mounting material

Part No.		TCD-24-UF
Electrical Data		
Frequency Range (MHz)		2400-2500
Operational Band		2.4GHz WLAN
Gain: Isotropic		2dBi
Compared to ¼ wave		0dB
Pattern		Omni-directional
Impedance		50Ω
Max Input Power (W)		10
Mechanical Data		
Dimensions (mm)	Length	50
	Width	6.3
	Thickness	0.6
Operating Temp (°C)		-40° / +80°C
Colour		Black
Mounting Data		
Fixing Holes Diameter (mm)		∅ 3
Connector		
Type		U.FL socket
Height (mm)		1.25

Panorama Antennas Ltd
Frogmore, London, SW18 1HF, United Kingdom

T: +44 (0)20 8877 4444
F: +44 (0)20 8877 4477

E: sales@panorama-antennas.com
www.panorama-antennas.com

PANORAMA  ANTENNAS