



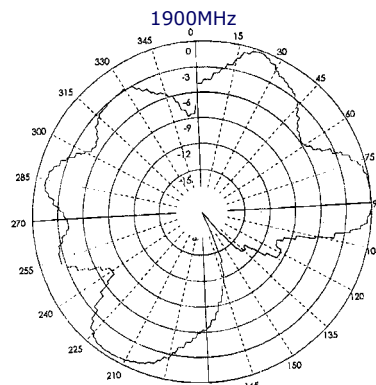
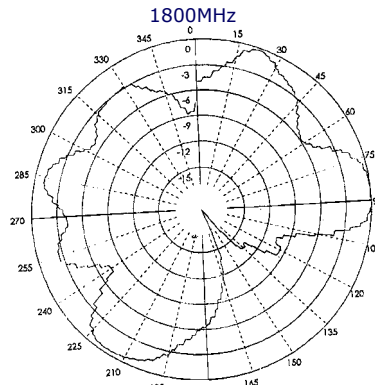
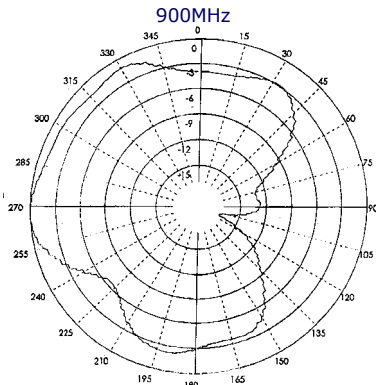
Dualband 900/1800/1900MHz Flexi- blade Antenna

Electrical Data

Frequency Range (MHz)	GSM900: 890 - 960 GSM1800: 1710 - 1880 PCS: 1850 - 1990
VSWR	< 1.5:1
Gain: Isotropic	2dBi
Compared with ¼ wave	0dB
Polarisation	Vertical

Mechanical Data

Dimensions (mm)	Length	60
	Width	9
	Thickness	1.6
Termination	SMB Plug	
Weight (g)		
Operating Temp (°C)	-40° / +80°C	
Colour	Black	
Material	Engineered Plastic	



VSWR

