

Body Worn 410-430MHz Tetra Antenna



Electrical Data

Frequency Range (MHz)	410 - 430
Operational Bands	S2
Gain: Isotropic	2dBi
Compared with ¼ wave	0dB
Polarisation	Vertical
Configuration	Flexible ½ Wave Dipole Element

Mechanical Data

Operating Temp (°C)	-40° / +80°C	
Dimensions (mm)	Length	23.8
	Width	27.4
	Depth	6
Material	Grey Engineering Plastic	
Colour	Grey	

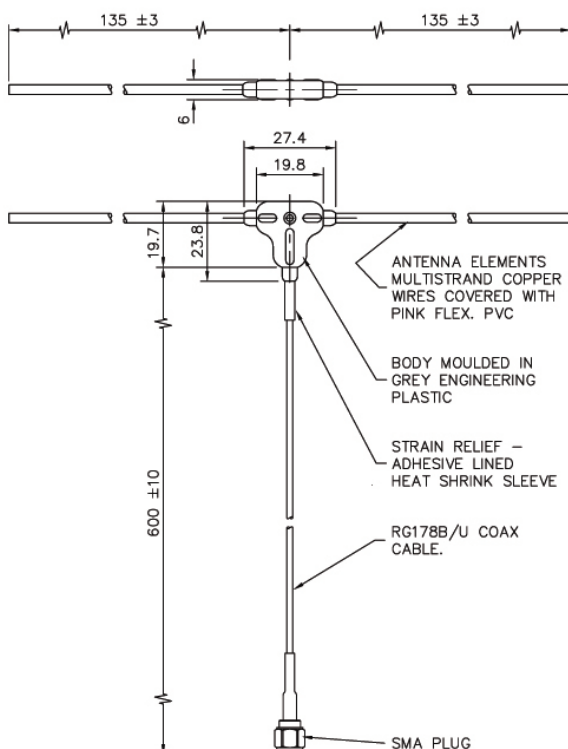
Antenna Element Data

Antenna Element Length (mm)	135 × 2
Type	Multistrand Copper Wires
Colour	Pink

Cable Type

Type	RG178B/U Coaxial Cable
Length (mm)	600

Technical Drawing



VSWR v Freq (MHz)

