



Product Data Sheet

GPS Combination Antenna

TETRA UHF

GPS Combination Antenna



GPSK

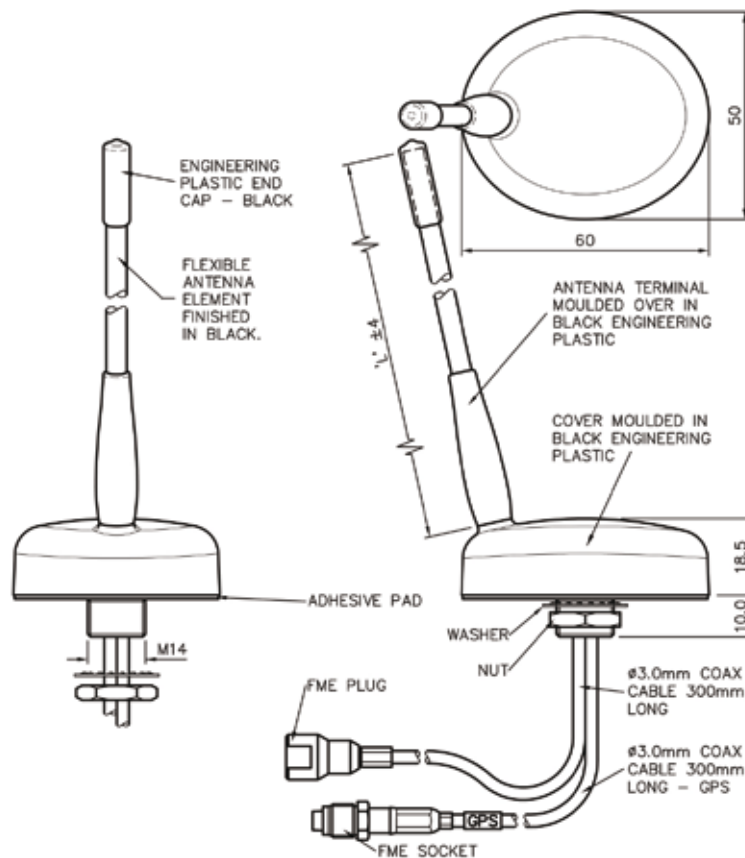
- Excellent performance
- Active GPS element
- Single hole fixing

The GPSK antenna range is a dual function, high performance TETRA antenna with an active GPS element.

The GPSK range covers frequencies from 300MHz to 470Mhz, depending on the equipment requirements. With the ability to mount on a roof up to 6mm thick using only a single 14mm hole.

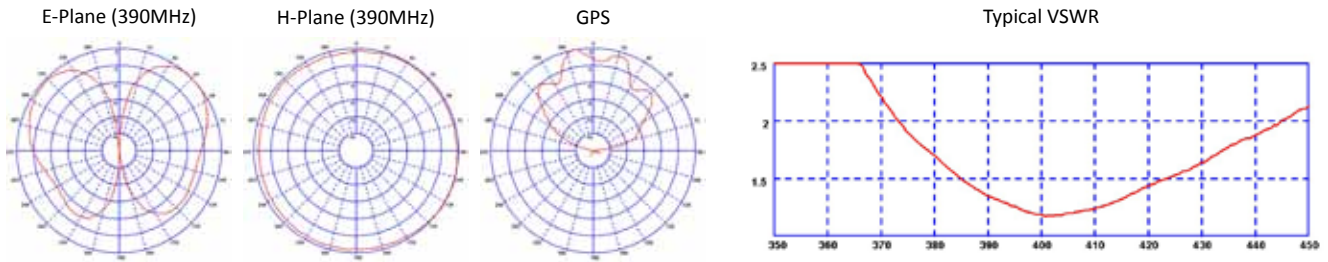
The twin functionality of the Panorama GPSK range makes the antennas a popular choice for police, buses, taxi's and other public service and utility vehicles.

Technical Drawing



TETRA UHF

GPS Combination Antenna



Part No.		GPSK-R1	GPSK-R2	GPSK-TET	GPSK-S4
Electrical Data					
Frequency Range (MHz)		300-334	350-370	380-430	450-470
Operational Band		R1	R2	TET	S4
Gain: Isotropic		2dBi	2dBi	2dBi	2dBi
Compared to ¼ wave		0dB	0dB	0dB	0dB
Polarisation		Vertical	Vertical	Vertical	Vertical
Pattern		Omn-directional	Omn-directional	Omn-directional	Omn-directional
Impedance		50Ω	50Ω	50Ω	50Ω
Max Input Power (W)		25	25	25	25
GPS Data					
Frequency Range (MHz)		1575	1575	1575	1575
VSWR		<2.0:1 ± 4MHz	<2.0:1 ± 4MHz	<2.0:1 ± 4MHz	<2.0:1 ± 4MHz
Gain: LNA		26dB	26dB	26dB	26dB
Polarisation		Right Hand Circular	Right Hand Circular	Right Hand Circular	Right Hand Circular
Operating Voltage		3 - 7V DC (fed via coax)	3 - 7V DC (fed via coax)	3 - 7V DC (fed via coax)	3 - 7V DC (fed via coax)
Current		Typical 14mA	Typical 14mA	Typical 14mA	Typical 14mA
Mechanical Data					
Dimensions (mm)	Whip Length	206	179	154	130
	Base Height	18.5	18.5	18.5	18.5
	Base Length	60	60	60	60
	Base Width	50	50	50	50
Operating Temp (°C)		-40° / +80°C	-40° / +80°C	-40° / +80°C	-40° / +80°C
Material		Engineering plastic	Engineering plastic	Engineering plastic	Engineering plastic
Colour		Black	Black	Black	Black
Mounting Data					
Fixing		Panel mount	Panel mount	Panel mount	Panel mount
Hole Size (mm)		15	15	15	15
Cable Data					
GPS Cable	Type	RG174	RG174	RG174	RG174
	Thickness (mm)	3.0	3.0	3.0	3.0
	Length (m)	0.3	0.3	0.3	0.3
	Termination	FME Socket	FME Socket	FME Socket	FME Socket
Comms Cable	Type	RG174	RG174	RG174	RG174
	Thickness (mm)	3.0	3.0	3.0	3.0
	Length (m)	0.3	0.3	0.3	0.3
	Termination	FME Plug	FME Plug	FME Plug	FME Plug

Panorama Antennas Ltd
Frogmore, London, SW18 1HF, United Kingdom

T: +44 (0)20 8877 4444
F: +44 (0)20 8877 4477

E: sales@panorama-antennas.com
www.panorama-antennas.com

PANORAMA  ANTENNAS