

Low profile TETRAPOL Antenna



Electrical Data

Frequency Range (MHz)	450 - 470
Bandwidth @ 2:1 VSWR	5%
Gain: Isotropic	2dBi
Compared with ¼ wave	0dB
Polarisation	Vertical
Groundplane	Integrated baseplate groundplane

Mechanical Data

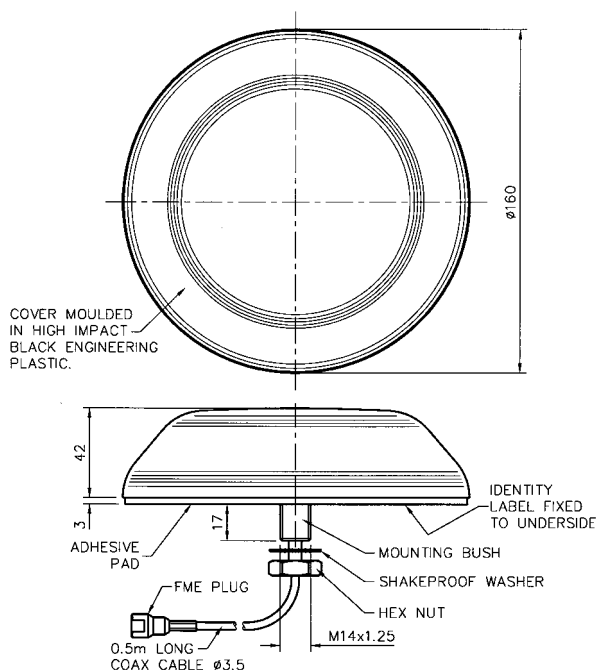
Base Dimensions (mm)	Height	42
	Diameter	160
Operating Temp (°C)		-40° / +80°C
Material		Engineering Plastic
Colour		Black

Mounting Data

Fixing	Panel Mount	
Mounting Hole Size (mm)	Length	17
	Diameter	14

Cable Data

Cable Type	Coaxial Cable
Cable Length (mm)	500
Cable Thickness (mm)	3.5
Termination	FME Plug



460 MHz

