



Product Data Sheet

LPAD-3G-24-1SP

M2M & ISM Band

Low Profile Antenna with Diversity

- Mesh Network
- Omni Directional
- ROHS Compliant
- UMTS UMTS
- Wifi



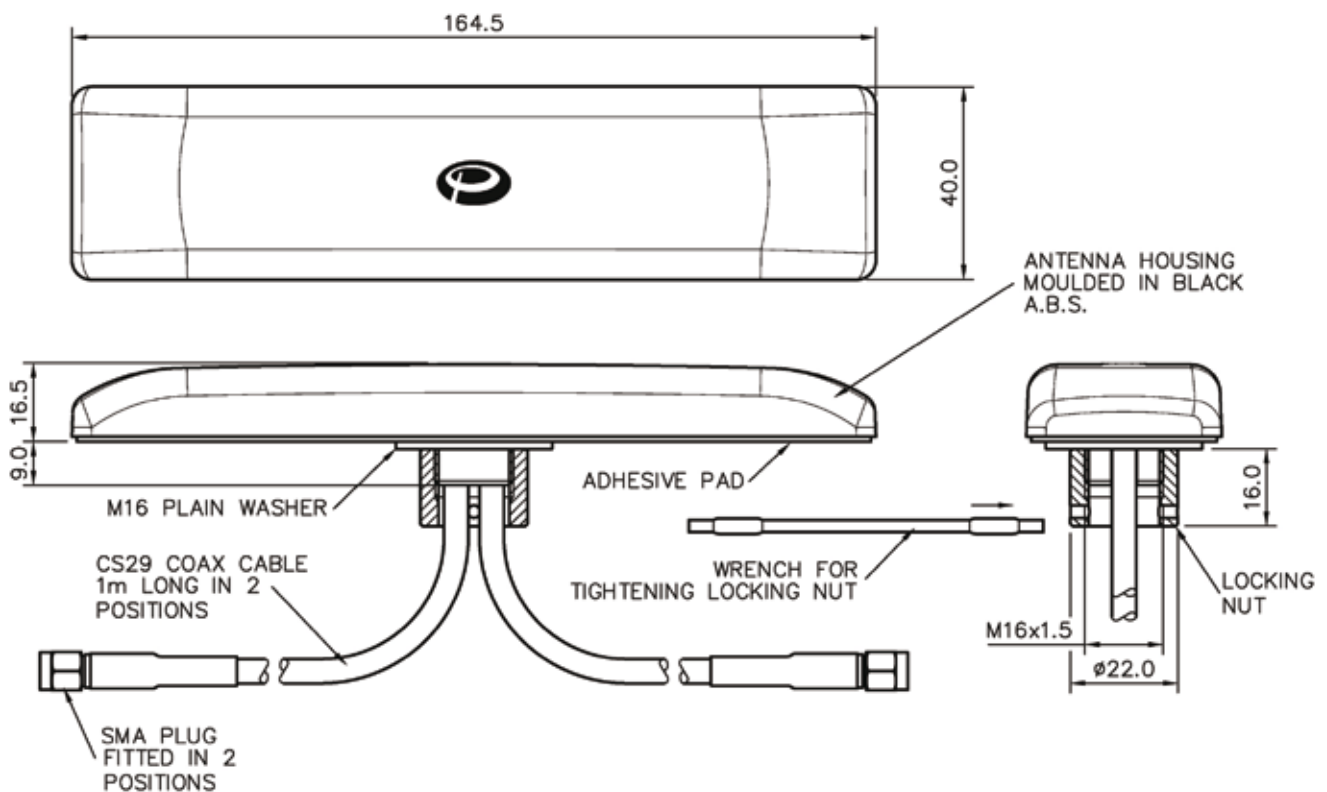
LPAD-3G-24-1SP

- Diversity antenna
- Two antennas in one housing
- Simple, one hole installation

The LPAD low profile antenna combines ergonomic style with sophisticated design. This unique antenna is designed for dual input devices. The rugged design only requires one mounting hole to aid with installation but offers separate feeds for improved performance.

This low cost antenna has a high degree of vandal resistance and is perfect for vending machines, utilities meters and featuring a secure yet easy to install locking nut.

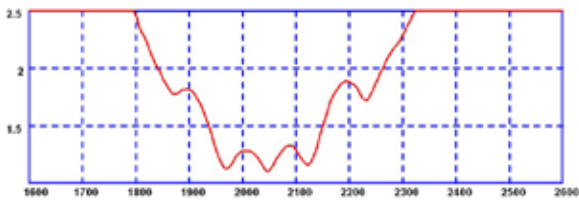
Technical Drawing



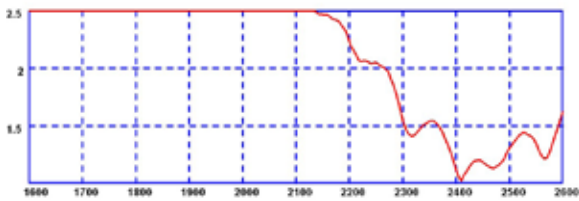
M2M & ISM Band

Low Profile Antenna with Diversity

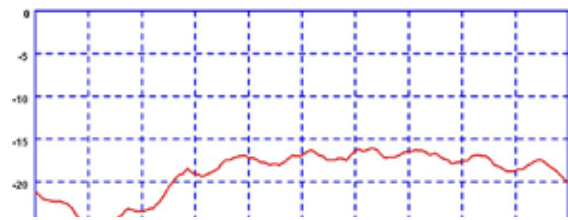
Typical VSWR at 2100MHz*



Typical VSWR at 2400MHz*



Isolation Loss between antennas*



* Measured on a 600mm² groundplane

Part No.		LPAD-3G-24-1SP
Electrical Data		
Frequency Range (MHz)	Antenna 1	1900-2170
	Antenna 2	2400-2485
Operational Band	3G UMTS & 2.4GHz	
VSWR	< 2:1	
Gain: Isotropic	0dBi	
Compared to ¼ wave	-2dB	
Pattern	Omni-directional	
Impedance	50Ω	
Max Input Power (W)		
Mechanical Data		
Dimensions (mm)	Height	16.5
	Length	164.5
	Width	40
Operating Temp (°C)	-40° / +80°C	
Material	Engineering Plastic	
Colour	Black	
Mounting Data		
Fixing	Panel Mount	
Mounting Hole Size (mm)	Length	10
	Diameter	16
Cable Data		
Type	CS29 Coax	
Thickness (mm)	5	
Length (m)	1	
Termination	2 × SMA Plug	

Panorama Antennas Ltd
Frogmore, London, SW18 1HF, United Kingdom

T: +44 (0)20 8877 4444
F: +44 (0)20 8877 4477

E: sales@panorama-antennas.com
www.panorama-antennas.com

PANORAMA  ANTENNAS