



Product Data Sheet

ODP-433

M2M & ISM Band

Wall Mount Antenna

- Omni Directional
- ROHS Compliant
- SCADA



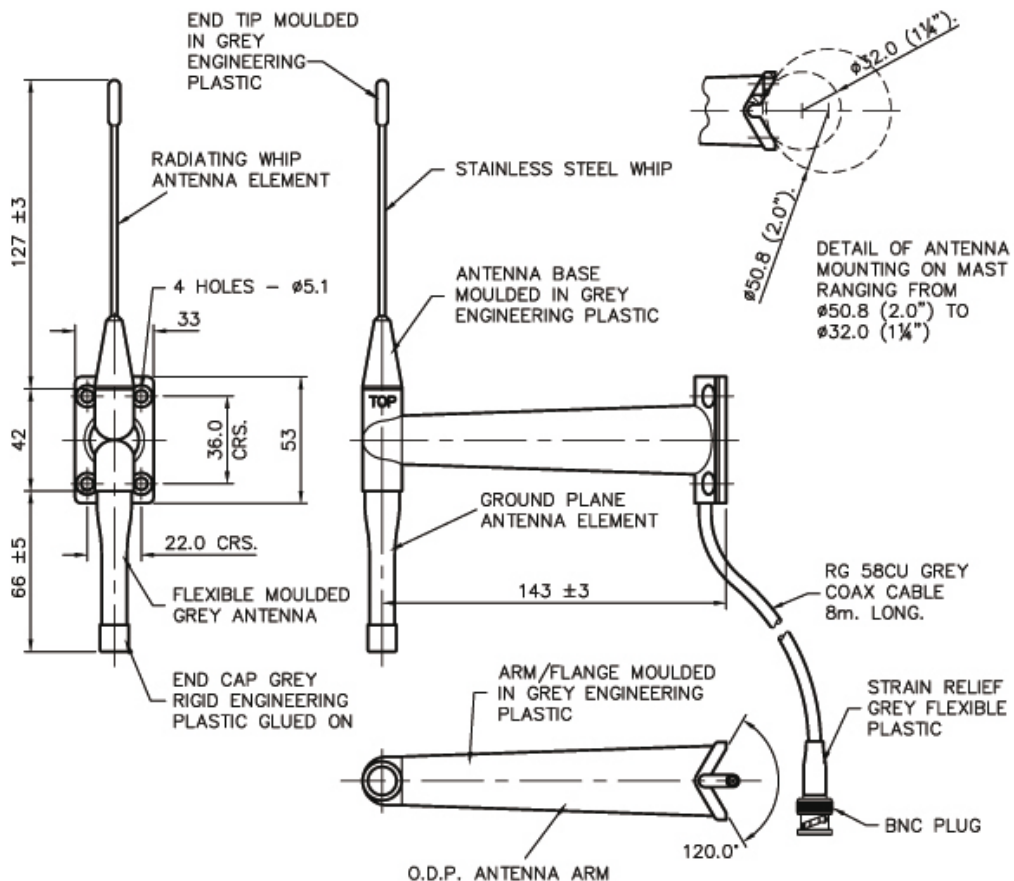
ODP-433

- Improves range
- Easy installation
- Light weight solution
- Discrete grey colour

THE ODP is a low cost remote antenna solution for ISM433 devices.

Particularly useful where in-building network coverage is reduced due to solid walls or glass, this antenna will improve the communication performance.

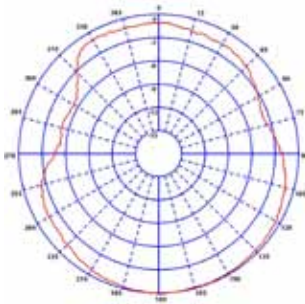
Technical Drawing



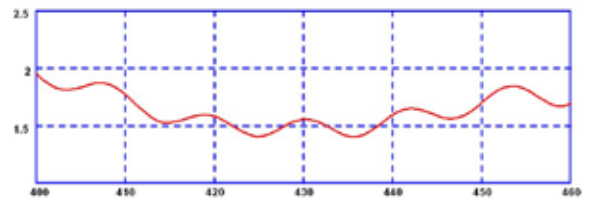
M2M & ISM Band

Wall Mount Antenna

H-Plane (433MHz)



Typical VSWR



Part No.		ODP-433-8B
Electrical Data		
Frequency Range (MHz)		410-450
Operational Band		ISM433
Bandwidth at 2:1 VSWR		8%
Gain: Isotropic		2dBi
Compared to ¼ wave		0dB
Pattern		Omni-directional
Polarisation		Vertical
Impedance		50Ω
Max Input Power (W)		25
Mechanical Data		
Dimensions (mm)	Height	235
	Off Set from Wall	143
Operating Temp (°C)		-40° / +80°C
Material		Engineering Plastic
Colour		Grey
Mounting Data		
Fixing		Wall mount or Mast mount
Cable Data		
Type		RG58CU
Thickness (mm)		5
Length (m)		8
Termination		BNC Plug

Panorama Antennas Ltd
Frogmore, London, SW18 1HF, United Kingdom

T: +44 (0)20 8877 4444
F: +44 (0)20 8877 4477

E: sales@panorama-antennas.com
www.panorama-antennas.com

PANORAMA  ANTENNAS