



Product Data Sheet

ODP Range

M2M & ISM Band

Wall Mount Antenna

- Omni Directional
- ROHS Compliant
- GPRS GPRS
- UMTS UMTS



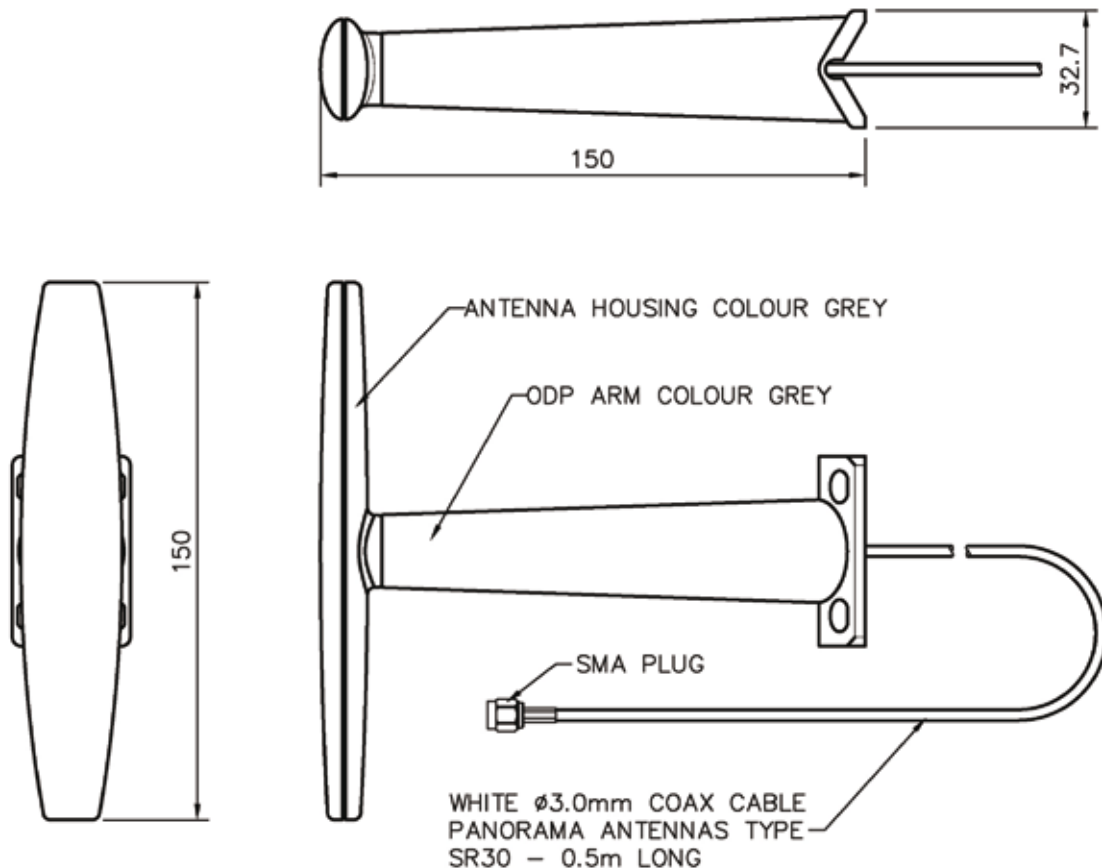
ODP

- Improves range
- Easy installation
- Light weight solution
- Low cost solution

THE ODP is a low cost remote antenna solution for GSM & 3G UMTS devices.

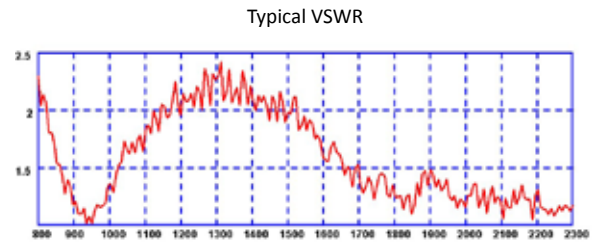
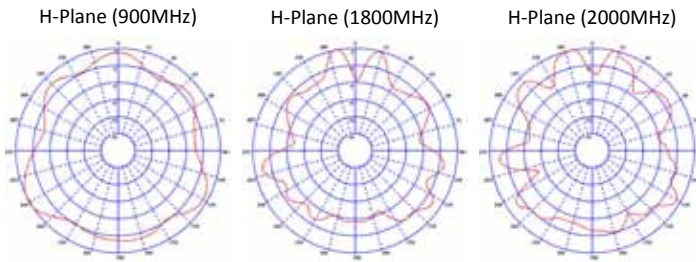
Particularly useful where in-building network coverage is reduced due to solid walls or glass, this antenna will improve the communication performance.

Technical Drawing



M2M & ISM Band

Wall Mount Antenna



Part No.		
	ODP-8-18-3G-05SP	ODP-9-18-3G-05SP
Electrical Data		
Frequency Range (MHz)	805-894, 1710-1880, 1850-1990, 1990-2170	890-960, 1710-1880, 1850-1990, 1990-2170
Operational Band	AMPS800 / GSM850, GSM1800, PCS1900, 3G UMTS	GSM900, GSM1800, PCS1900, 3G UMTS
VSWR	Tx ≤ 1.5:1, Rx ≤ 2.0:1	Tx ≤ 1.5:1, Rx ≤ 2.0:1
Gain: Isotropic	2dBi	2dBi
Compared to ¼ wave	0dB	0dB
Pattern	Omni-directional	Omni-directional
Polarisation	Vertical	Vertical
Impedance	50Ω	50Ω
Max Input Power (W)	10	10
Mechanical Data		
Dimensions (mm)	Height	150
	Width	32.7
	Off Set from Wall	150
Operating Temp (°C)	-40° / +80°C	-40° / +80°C
Material	Engineering Plastic	Engineering Plastic
Colour	Grey	Grey
Mounting Data		
Fixing	Wall mount	Wall mount
Cable Data		
Type	SR30	SR30
Thickness (mm)	3	3
Length (m)	0.5	0.5
Termination	SMA Plug	SMA Plug

Panorama Antennas Ltd
Frogmore, London, SW18 1HF, United Kingdom

T: +44 (0)20 8877 4444
F: +44 (0)20 8877 4477

E: sales@panorama-antennas.com
www.panorama-antennas.com

PANORAMA  ANTENNAS