



Product Data Sheet

TCLIP2-C3G-05TS9

GPRS & 3G UMTS

Clip & Desk Antenna

TCLIP2-C3G



Universal clip for laptops

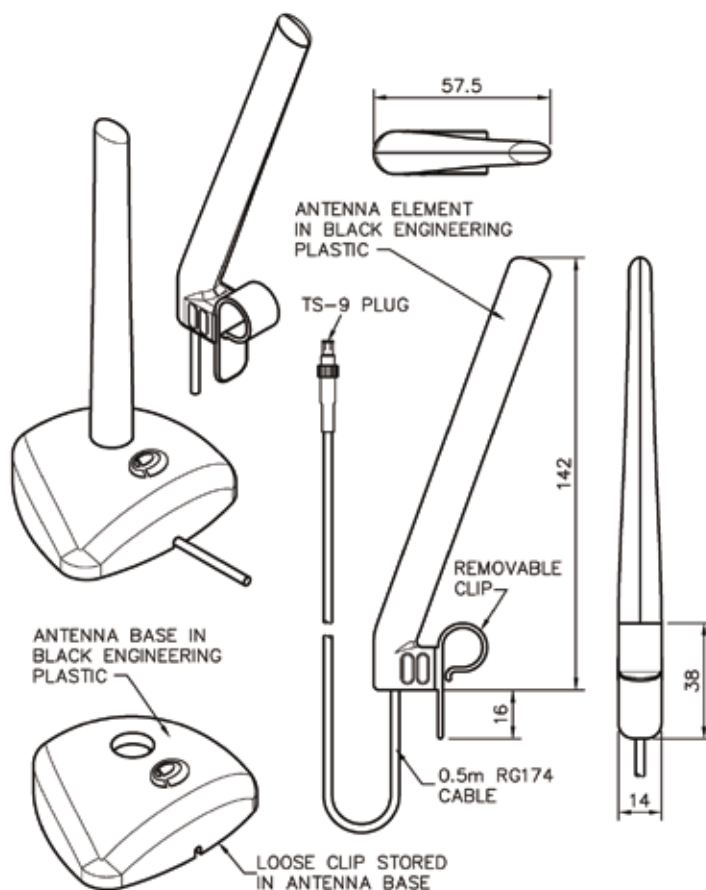
Desk mount option

Various connectors for different data cards, express cards & USB devices

The deceptively stylish form of the TCLIP2-C3G hides a powerful and effective antenna designed to significantly improve signal strength and transfer speeds for data connections. Simply connect the TCLIP2-C3G to your data card or USB modem and experience the difference immediately.

Whether in the office or out of it the TCLIP2-C3G adapts to every situation: featuring a desk stand and a screen clip combined in one innovative package. With the TCLIP2-C3G you can connect to the world, wherever you are.

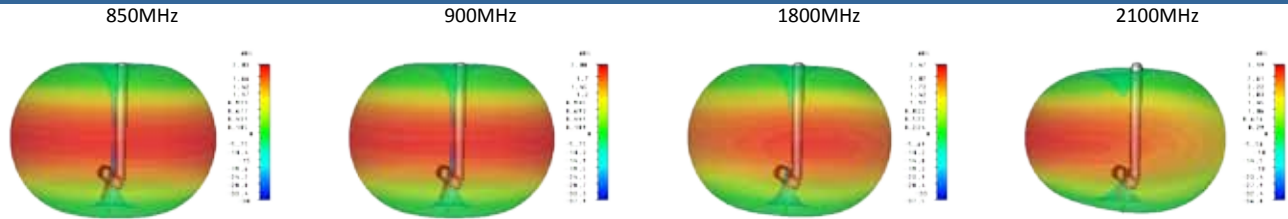
Technical Drawing



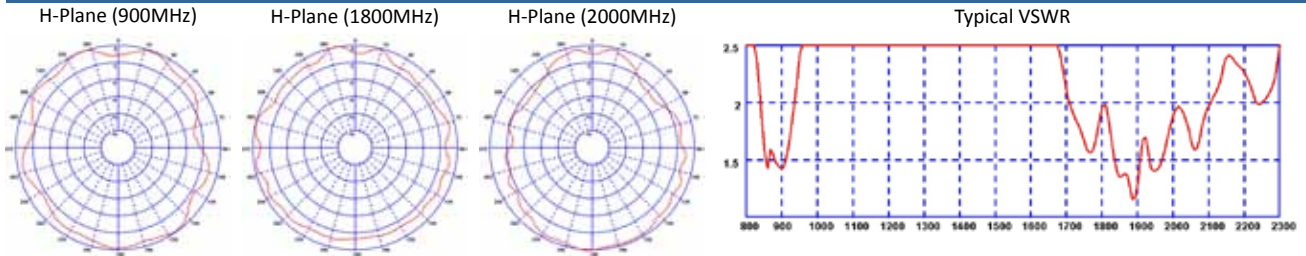
GPRS & 3G UMTS

Clip & Desk Antenna

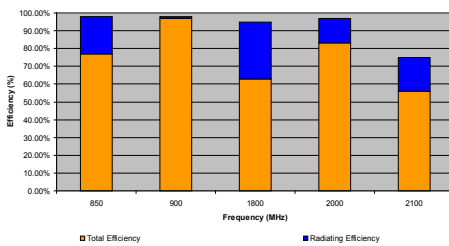
3D Simulated Plots



Chamber Measured Plots & VSWR



Efficiency



| Frequency (MHz) | Radiating Efficiency (%) | Total Efficiency (%) |
|-----------------|--------------------------|----------------------|
| 850 | 98 | 77 |
| 900 | 98 | 97 |
| 1800 | 95 | 63 |
| 2000 | 97 | 83 |
| 2100 | 75 | 56 |

Part No.

TCLIP2-C3G-05TS9

Electrical Data

| | |
|-----------------------|---|
| Frequency Range (MHz) | 805-894, 890-960, 1710-1880, 1900-2170 |
| Operational Band | GSM850 / CDMA850, GSM900, GSM1800, PCS1900, 3G UMTS |
| Gain: Isotropic | 2dBi |
| Compared to ¼ wave | 0dB |
| Polarisation | Vertical |
| Pattern | Omni-directional |
| Impedance | 50Ω |
| Max Input Power (W) | 10 |

Mechanical Data

| | | |
|---------------------|---------------------|-----|
| Dimensions (mm) | Length | 142 |
| | Width | 14 |
| Material | Engineering plastic | |
| Operating Temp (°C) | -40° / +80°C | |
| Colour | Black | |

Mounting Data

| | |
|----------|------------------------------------|
| Type | Computer screen clip or desk stand |
| Material | Engineering plastic |
| Colour | Black |

Cable Data

| | |
|----------------|----------|
| Type | RG174 |
| Thickness (mm) | 2.5 |
| Length (m) | 0.5 |
| Termination | TS9 plug |

Panorama Antennas Ltd
Frogmore, London, SW18 1HF, United Kingdom

T: +44 (0)20 8877 4444
F: +44 (0)20 8877 4477

E: sales@panorama-antennas.com
www.panorama-antennas.com

PANORAMA  ANTENNAS