

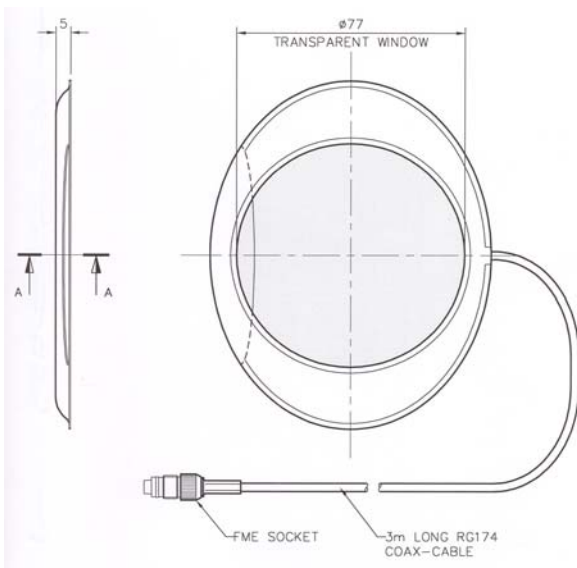


multiband

"taxdisc" 900MHz + 1800MHz + 3G internal glassmount Antenna



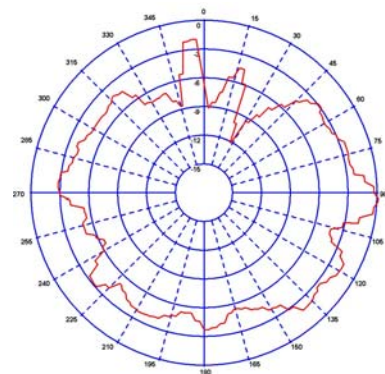
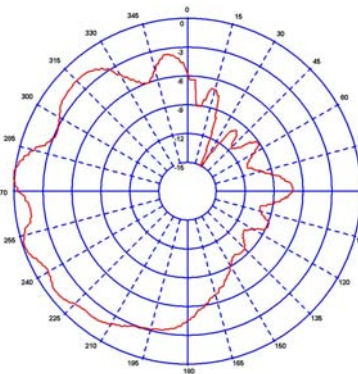
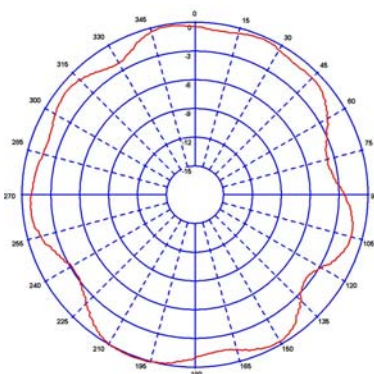
Gain	0 dBd/2 dBi
Polarisation	Vertical
Cable	3 Metres, FME fitted
Freq Range	890-960MHz, 1710-2100 MHz
Configuration	3 x 1/2 wave Dipoles
Orientation	Vertical, Cable entry left or right
Dimensions H	120mm
W	65mm
T	5mm



900 MHz

1800 MHz

3G



VSWR v Freq (MHz)

