

Multiband Cellular panel mount Antenna



Electrical Data

Frequency Range (MHz)	805 - 880 890 - 960 1710 - 1880 1850 - 1990 1900 - 2170
Operational Bands	AMPS GSM900 GSM1800 PCS 3G UMTS
VSWR	Tx ≤ 1.5:1, Rx ≤ 2:1
Gain: Isotropic	2dBi
Compared with ¼ wave	0dB
Polarisation	Vertical

Mechanical Data

Length of Whip (mm)	50
Height of Whip Mounted (mm)	70
Weight (g)	
Operating Temp (°C)	-40° / +80°C
Whip Material	Stainless Steel
Colour	Black

Mounting Data

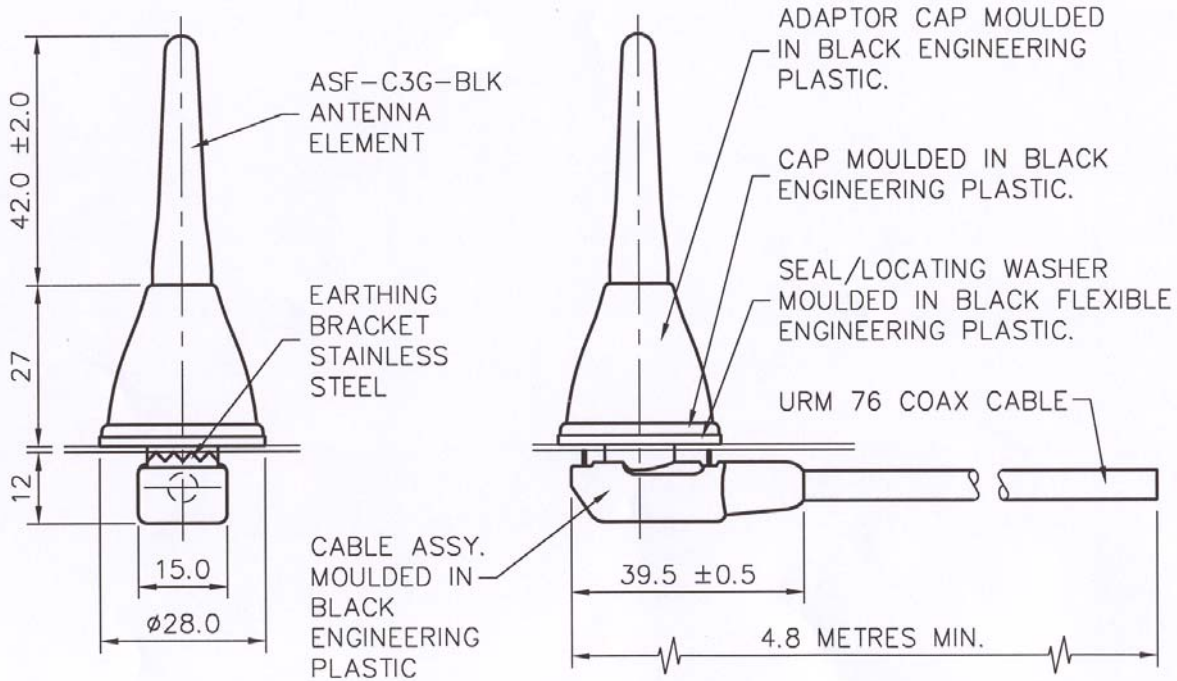
Fixing	Panel Mount	
Adaptor Cap Dimensions (mm)	Height	28
	Diameter	27
Adaptor Cap Material	Black Engineering Plastic	
Colour	Black	
Earthing Bracket Dimensions (mm)	Height	24.5
	Width	30
Termination	FME Socket	

Fixing Data

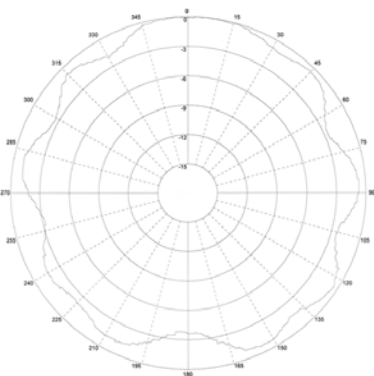
Panel Thickness (mm)	0 - 4	
Hole Size (mm)	Fit From Inside	12
	Fit From Outside	19

Cable Data

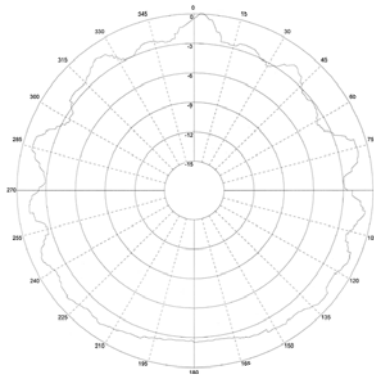
Cable Length (m)	5
Detachable Cable Option	EB-C3G



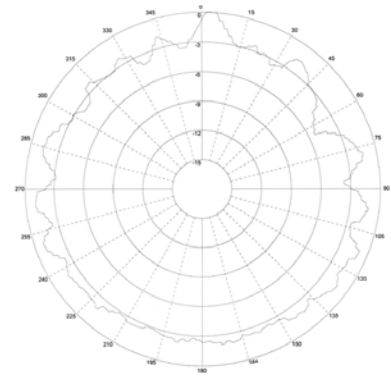
900 MHz



1800 MHz



2000 MHz



VSWR v Freq (MHz)

